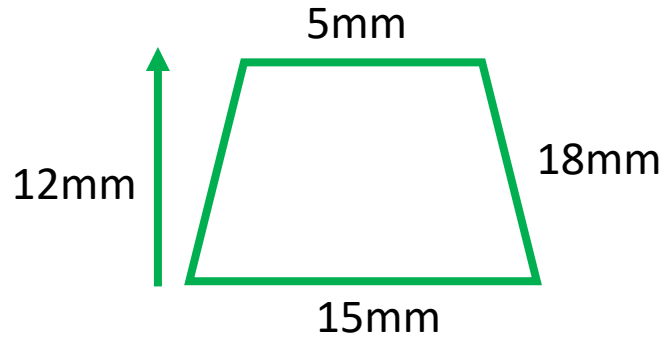
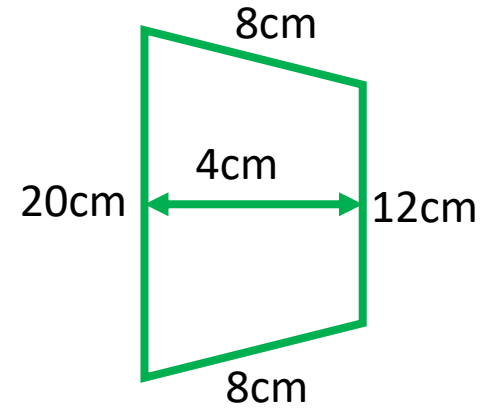


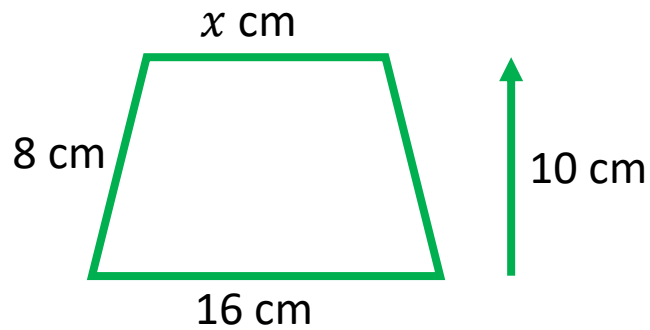
Find the area of the shape below



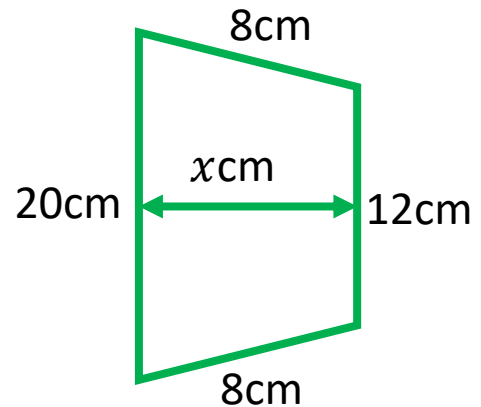
Find the area of the shape below



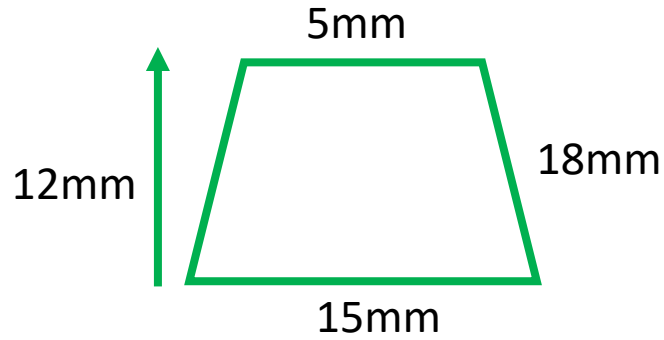
Find the value of x when the area is 100cm^2



Find the value of x when the area is 48cm^2

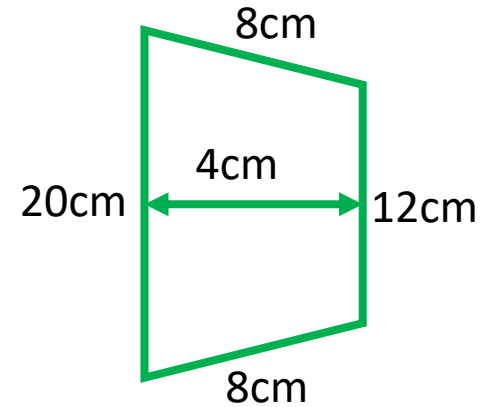


Find the area of the shape below



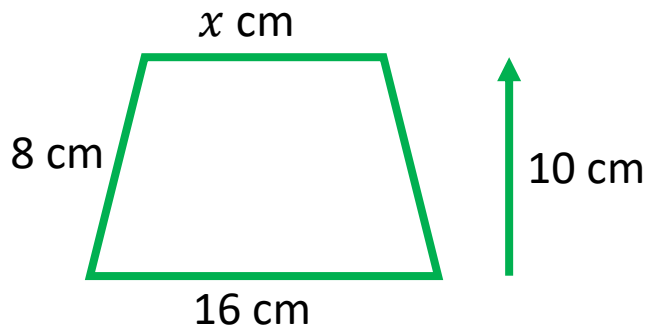
$$\text{Area} = 120\text{mm}^2$$

Find the area of the shape below



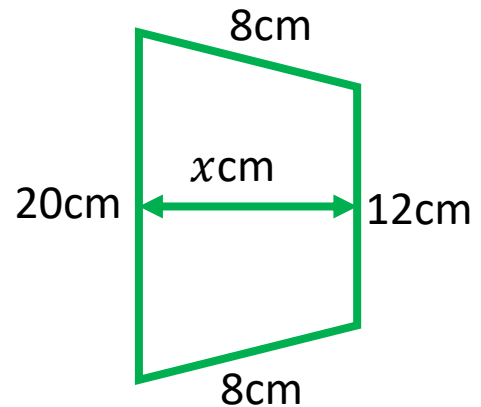
$$\text{Area} = 64\text{cm}^2$$

Find the value of x when the area is 100cm^2



$$x = 4$$

Find the value of x when the area is 48cm^2



$$x = 3$$